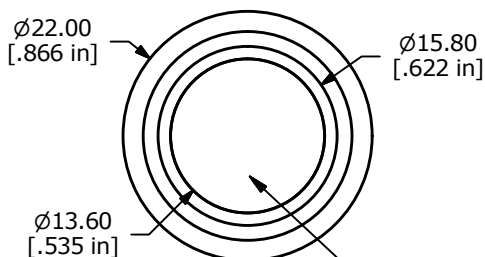
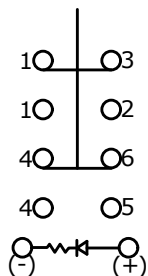


SWITCH FUNCTION	
POS. 1	POS. 2
ON	ON
1-3, 4-6	1-2, 4-5

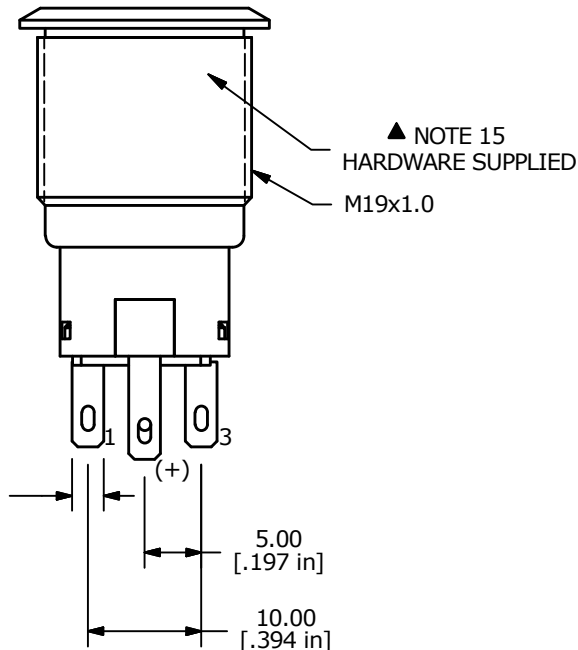
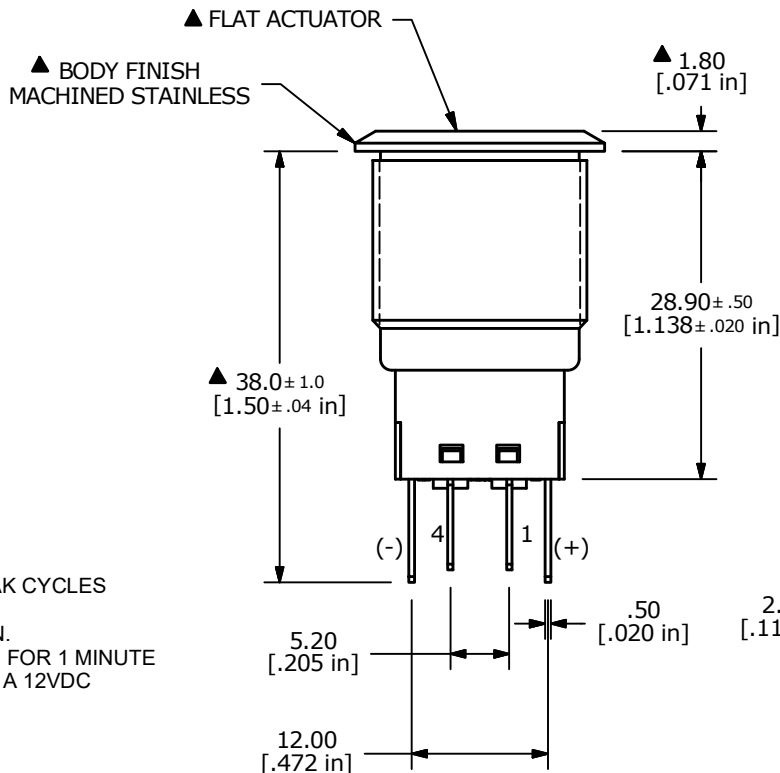


▲ ACTUATOR FINISH MACHINED STAINLESS



▲ DPDT CONTACT CONFIGURATION

- NOTE:
- ALL DIMENSIONS IN MM [INCH]
 - GENERAL TOLERANCE: X.X=±0.4
X.XX=±0.25
 - TERMINAL NUMBERS FOR REF ONLY
 - CONTACT MATERIAL: SILVER
 - RATING: 2A 24VDC
 - ELECTRIC LIFE: 50,000 MAKE-AND-BREAK CYCLES AT FULL LOAD.
 - INSULATION RESISTANCE: 1,000 MΩ MIN.
 - DIELECTRIC STRENGTH: 2,000 VAC MIN. FOR 1 MINUTE
 - CONTACT RESISTANCE: 50mΩ MAX. @ 1A 12VDC
 - OPERATING TEMP.: -20°C to 55°C
 - TRAVEL: 2.8mm
 - ▲ DENOTES CRITICAL PARAMETER.
 - LAMP VOLTAGE: 24V
 - INGRESS PROTECTION: IP65
 - HARDWARE SUPPLIED: O-RING AND HEXNUT
 - ILLUMINATION COLOR: GREEN



C	23605	UPDATED RATING TO 2A @ 24VDC	10/11/18	MJR
B	20301	ADD LED TO CONTACT CONFIG.	11/22/11	BMA
REV	PCR NO	DESCRIPTION	DATE	BY

TITLE PV4F2G0SS-335				
SCALE 3:2	DATE 11/2/2011	DR BGL	DWG 52-PV4F2G0SS335	REV C

THE INFORMATION CONTAINED IN THIS DOCUMENT IS PROPRIETARY TO E-SWITCH AND IS NOT TO BE COPIED OR TRANSFERRED